

Proximity Credentials

For use with *MS Series Proximity™* Readers



KC-10X Standard Light Proximity Card

- Wallet friendly - thinner than other comparable proximity cards
- Extremely durable
- Industry standard formats
- Unique ID codes
- Lifetime Warranty

MT-10X Multi Technology Card

- ISO Thin, Just 0.031" (0.8mm)
- With or Without Magnetic Stripe
- Can Also Print Bar Codes
- Unique Codes

PKT-10X Proximity Key Ring Tag

- Smallest Proximity Key Ring Tag Available
- Robust and Durable - Washing Machine Tough
- Unique Codes
- Lifetime Warranty

Keri's **KC-10X Standard Light Proximity Card** provides maximum read range performance in a package considerably thinner than other "clamshell" proximity cards. It can be easily carried in a wallet or purse or worn on the clothing with a clip or necklace. These cards are extremely durable and convenient. They are manufactured with a vertical hanging slot punch, and they come with a lifetime warranty.

Unless the user requires the combination of mag stripe and proximity, the KC-10X is recommended over the MT-10X Multi Technology Card whenever possible because of its lower cost and lifetime warranty. The Standard Light Cards can be fitted with a PVC label or "skin" which can accept a direct printed image to provide photo ID at a much lower cost and greater durability.

Keri's **MT-10X Multi Technology Card** allows the user to combine several identification technologies in a single credit card thin credential. The cards can be ordered with or without a high coercivity magnetic stripe, which is useful if there are other types of systems in use that are mag stripe-based, such as cafeteria vending. They are also useful for customers who may have a proximity-based access control system at one site and a mag stripe-based system at other locations, allowing the user to carry a single card.

One of the most popular features of the Multi Technology Cards is that they can accept a direct print video image, typically a photograph, bar code, and other user graphics, from most industry standard dye sublimation printers, to create a custom access credential.

Unless the user requires the combination of mag stripe and proximity, the KC-10X is recommended over the MT-10X Multi Technology Card whenever possible because of its lower cost and lifetime warranty. The Standard Light Cards can be fitted with a PVC label or "skin" which can accept a direct printed image to provide photo ID at a much lower cost and greater durability.

Keri's **PKT-10X Proximity Key Ring Tag** provides user convenience in a small, ergonomic, and extremely durable package. The tag is equipped with a brass eyelet for attachment to a key ring that ensures the neck of the tag will not break during the life of the system. Key Tags are especially convenient for building entrances where the user still has their car keys in hand. If the system has many interior doors that are secured with a Keri access control system, users often attach the tag to a necklace for easy carrying, especially if the clothing does not have pockets. If parking gates are secured by an access control system, a Keri Proximity Card is recommended because the tag is usually hanging with the keys in the ignition.

All three Keri Proximity Credentials can be used interchangeably on the same system without worry about ID code duplication or format matching.



1530 Old Oakland Road, Suite 100
San Jose, CA 95112 USA
(800) 260-5265 • (408) 451-2520 • Fax (408) 441-0309
e-mail: sales@kerisys.com web: www.kerisys.com

Proximity Credentials

For use with *MS Series Proximity™* Readers

KC-10X Specifications

Read Range*

MS-3000	up to 4 inches (10cm)
MS-4000	up to 1 inch (2.5m)
MS-5000	up to 8 inches (20cm)
MS-7000	up to 15 inches (38cm)

Size

L=3.38, W=2.14, T=0.059 inches
Approx. (86 x 54 x 1.5mm)

Weight

0.31 oz
(8.8g)

Material

ABS

Frequency

125 KHz excitation / 62.5 kHz return

Temperature

-40° C to +70° C

Humidity

0-100% Non-condensing

Color

Off white

Warranty

The Standard Light Proximity Card comes with a limited lifetime warranty against defects in materials and workmanship.

MT-10X Specifications

Read Range*

MS-3000	up to 3 inches (7.6cm)
MS-4000	up to 1 inch (2.5cm)
MS-5000	up to 4 inches (10cm)
MS-7000	up to 12 inches (30cm)

Size

L=3.38, W=2.14, T=0.031 inches
Approx. (86 x 54 x .08mm)

Weight

0.19 oz
(5.5g)

Material

PVC with a printable gloss surface

Frequency

125 KHz excitation / 62.5 kHz return

Temperature

-40° C to +70° C

Humidity

0-100% Non-condensing

Color

White

Warranty

The Multi Technology Card comes with a limited 1 year warranty against defects in materials and workmanship.

PKT-10X Specifications

Read Range*

MS-3000	up to 2 inches (5cm)
MS-4000	up to 1 inch (2.5m)
MS-5000	up to 4 inches (10cm)
MS-7000	up to 7 inches (18cm)

Size

L=1.51, W=1.15, T=0.155 inches
Approx. (38 x 29 x 5mm)

Weight

0.16 oz
(4.5g)

Material

ABS, includes brass eyelet

Frequency

125 KHz excitation / 62.5 kHz return

Temperature

-40° C to +70° C

Humidity

0-100% Non-condensing

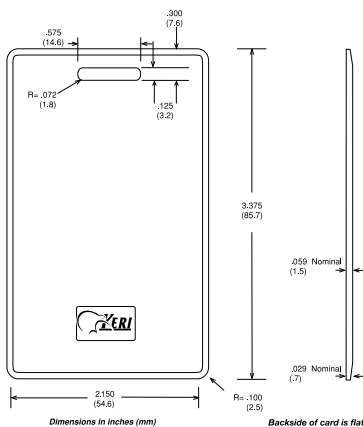
Color

Gray

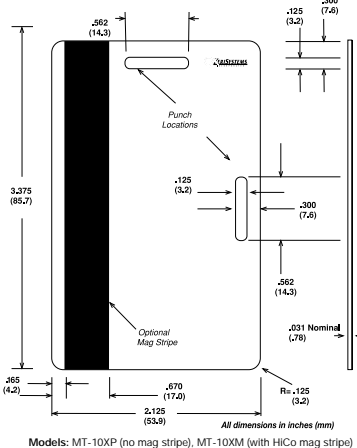
Warranty

The Key Tag comes with a limited lifetime warranty against defects in materials and workmanship.

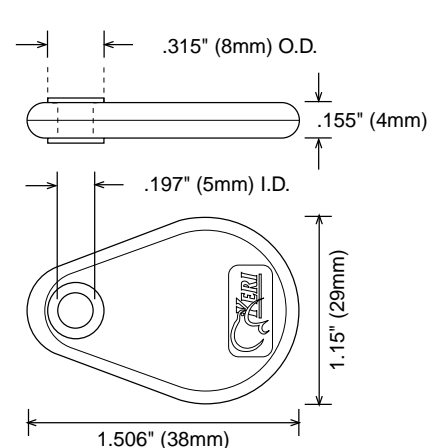
KC-10X



MT-10X



PKT-10X



Specifications subject to change without notice.

Trademarks are the property of their respective owners.

* Read range is stated in a clean RF and electrical environment with card presented parallel to reader surface.

Presented By:

